



SUPER BULLET TWEETER INSTALLATION INSTRUCTION MANUAL

MOUNTING LOCATION

Carefully select a suitable mounting location for the tweeter. Be sure to check behind the mounting location selected for adequate space for tweeter depth.

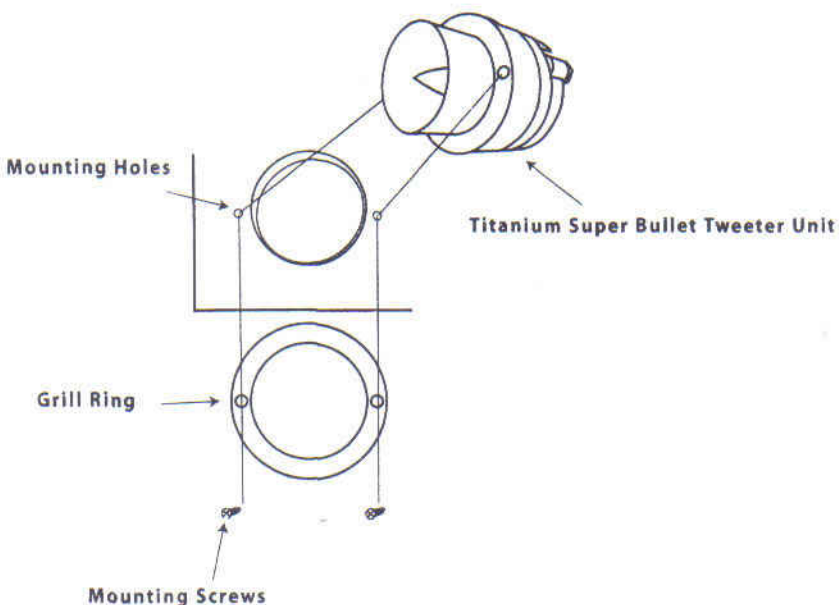
INSTALLATION

Screw the angle mounting to the location selected.

WIRING

Feed the wires from the tweeter terminal and push the tweeter into the mounting until the tweeter sits nicely into the mounting.

INSTALLATION PROCEDURE :





SPECIFICATIONS :

MODEL : IF-T50

1" Titanium Super Bullet Tweeter

Die Cast Aluminum Frame and
Diamond Chrome Cutting Finish

Peak Power Handling	: 220 Watts
Continuous Power (RMS)	: 110 Watts
Impedance	: 4 Ohm
Magnet Type	: Neodymium
Sensitivity (1W/m)	: 108 dB
Freq. Response	: 2 kHz - 23 kHz
Voice Coil Dia.	: 1¼" High Temperature